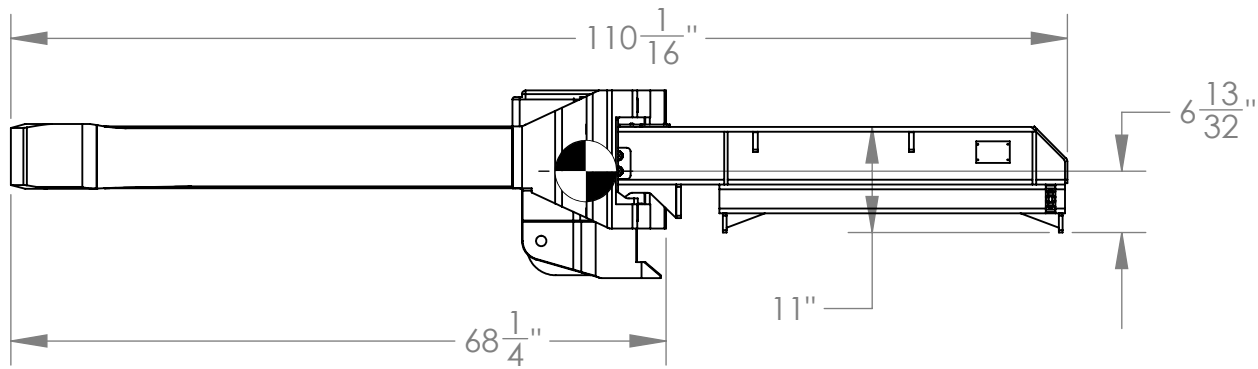
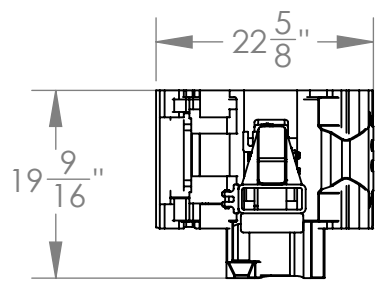
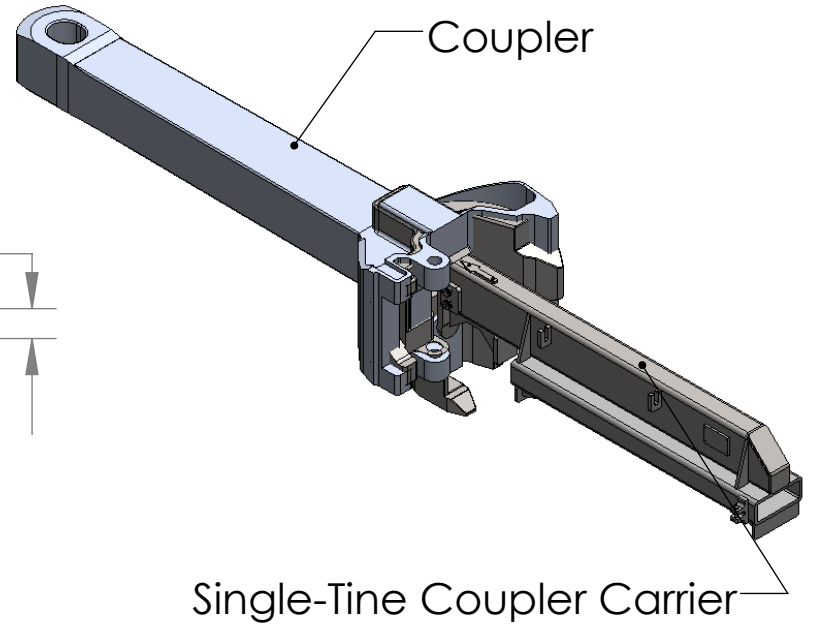


Center of Mass



**Single-Tine Coupler Carrier 200 Lbs.
Coupler 700 lbs.
Total Weight 900 Lbs.**



ISSUE	DATE	BY	APPLICATION



**Single-Tine Coupler Carrier
Part # 0295**

Phone # 402-253-2772

DATE: 9/11/15	DRAWN BY: JLR	CHECKED BY:
---------------	---------------	-------------