

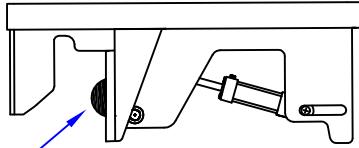


19102 S. 156th St.  
Springfield, NE 68059  
Custom Welding (402) 253-2772

# Instruction For Use

## Wheel Handler

Part No. 0161

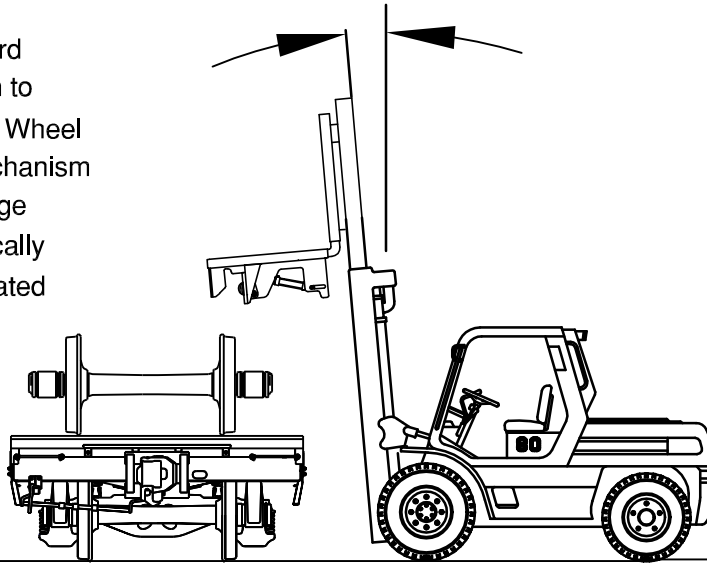


Spring Loaded  
Locking Mechanism

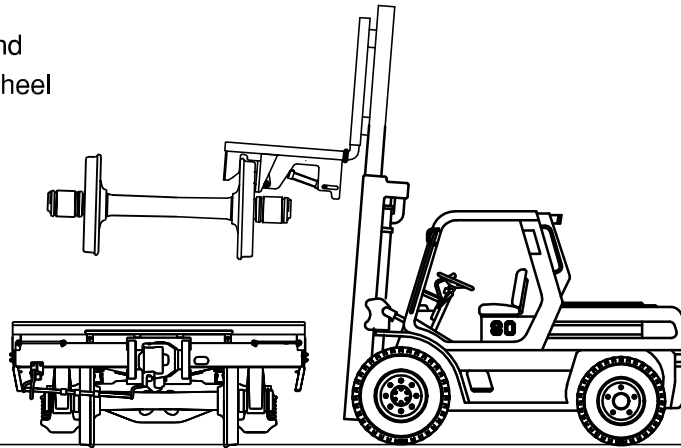
Connect the two hydraulic hoses to forklift

Fixture is ready for Pickup  
when Locking Mechanism  
is engaged.  
( hydraulic cylinder is fully extended )

1. Tilt Forward  
Lower On to  
Center of Wheel  
Lock Mechanism  
Will Engage  
Automatically  
When Seated



2. Tilt Back and  
Remove Wheel



3. Set The Wheel Down  
Tilt Forward and  
Disengage Lock Mechanism  
( hydraulic cylinder fully retracted )

Remove Fixture and  
Re Engage Lock Mechanism  
For Next Pick-up

