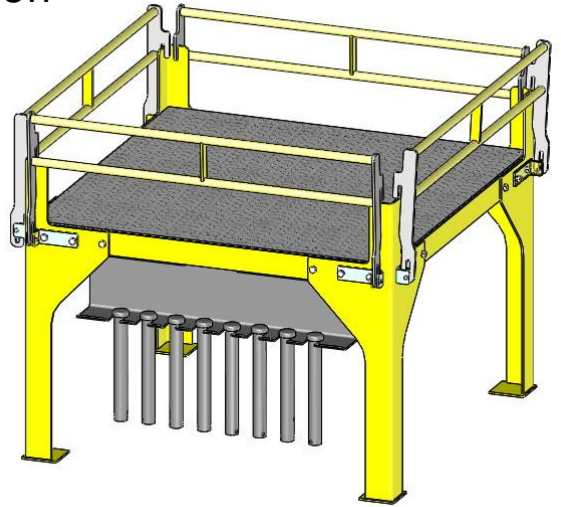
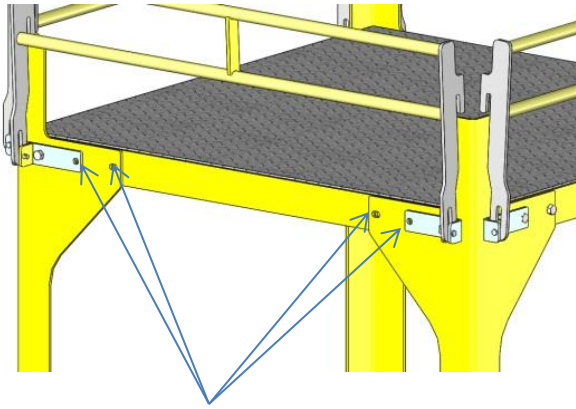
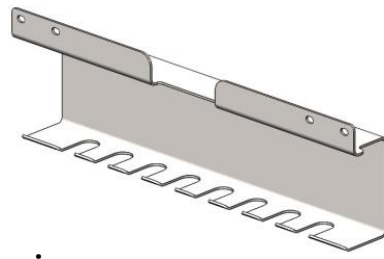


# Knuckle Pin Holder Installation Instruction

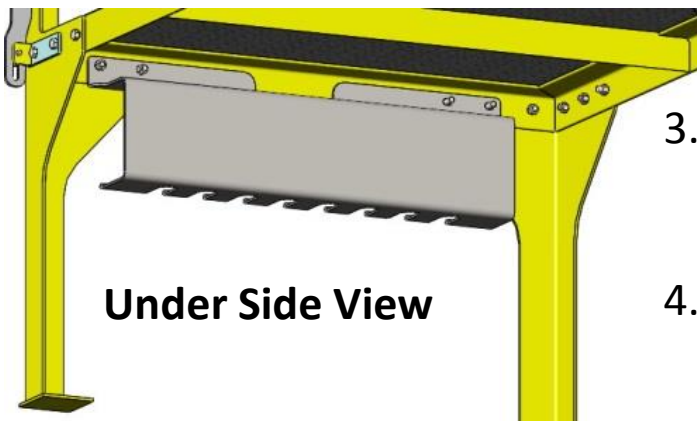
## Tools Required

$\frac{3}{4}$ " Socket & Ratchet with a 6" Extension

And a  $\frac{3}{4}$ " Open End Wrench



1. Remove All Items From Table
2. Remove all four inner bolts as shown. Gate and Hinge Bracket along with the Table Legs will remain.



**Under Side View**

3. Position Pin Holder from under side of Table over the table leg bolt holes.
4. Attach Pin Holder using the four provided  $\frac{1}{2}$ " X 2" Bolts lock Washers and Lock Nuts