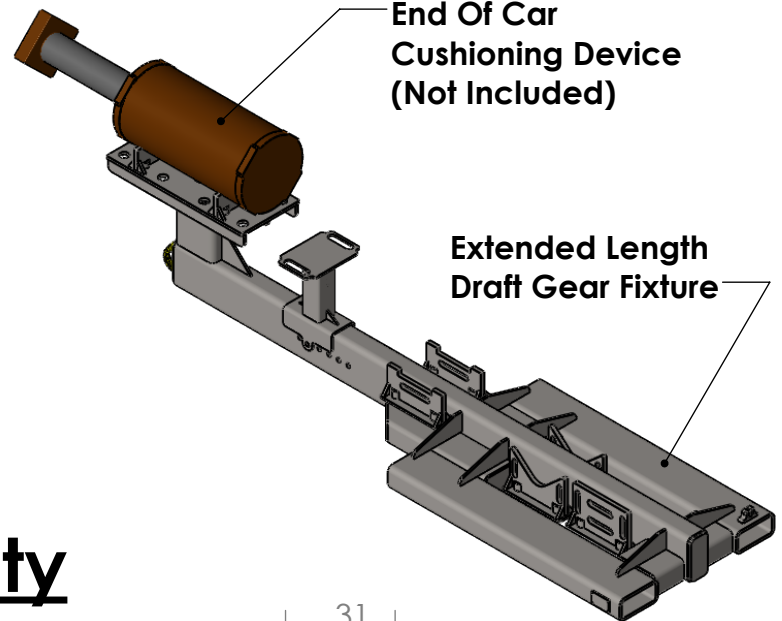
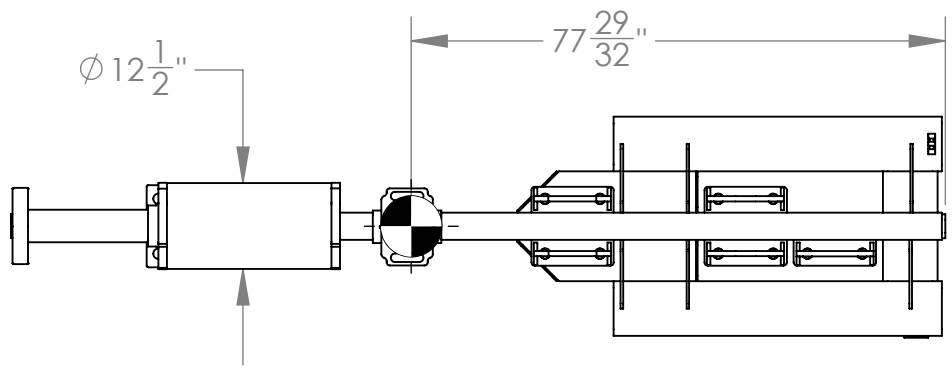


8 7 6 5 4 3 2 1

D

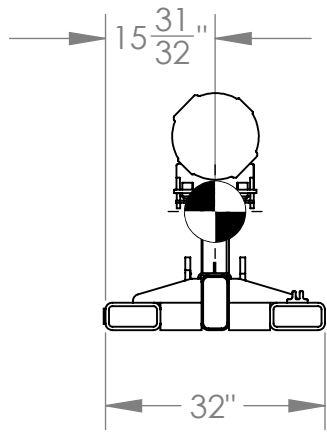
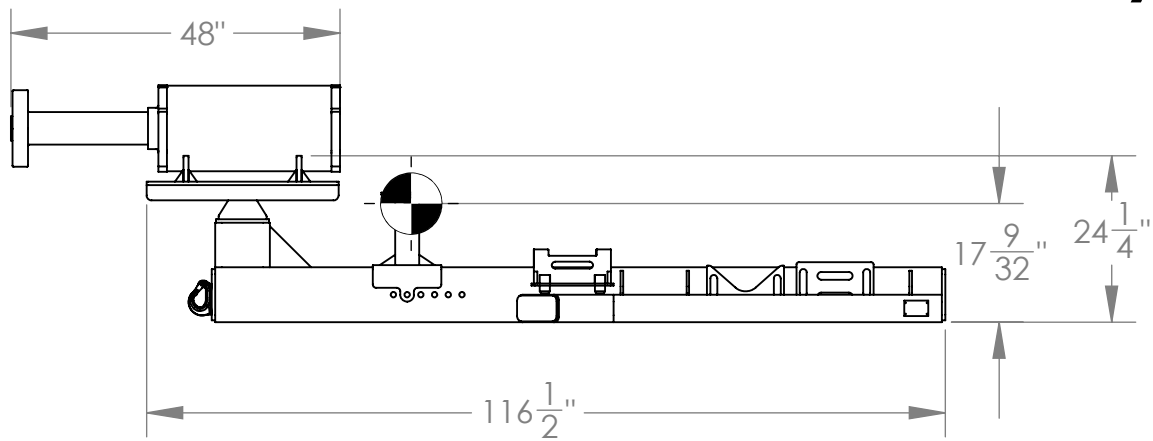
D



C

C

# Center Of Gravity



B

B

**Extended Length Draft Gear Fixture: 1,050 Lbs.**  
**End Of Car Cushioning Device: 1,070 Lbs.**  
**Total Weight: 2,120 Lbs.**



EXTENDED LENGTH DRAFT  
 GEAR FIXTURE  
 PART # 0420

A

A

ISSUE	DATE	BY	APPLICATION

DATE: 4/3/18	DRAWN BY: JLR	CHECKED BY:
--------------	---------------	-------------

8 7 6 5 4 3 2 1

DO NOT SCALE DRAWING